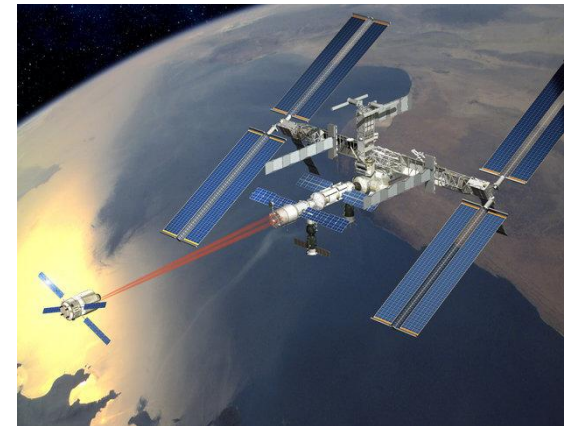


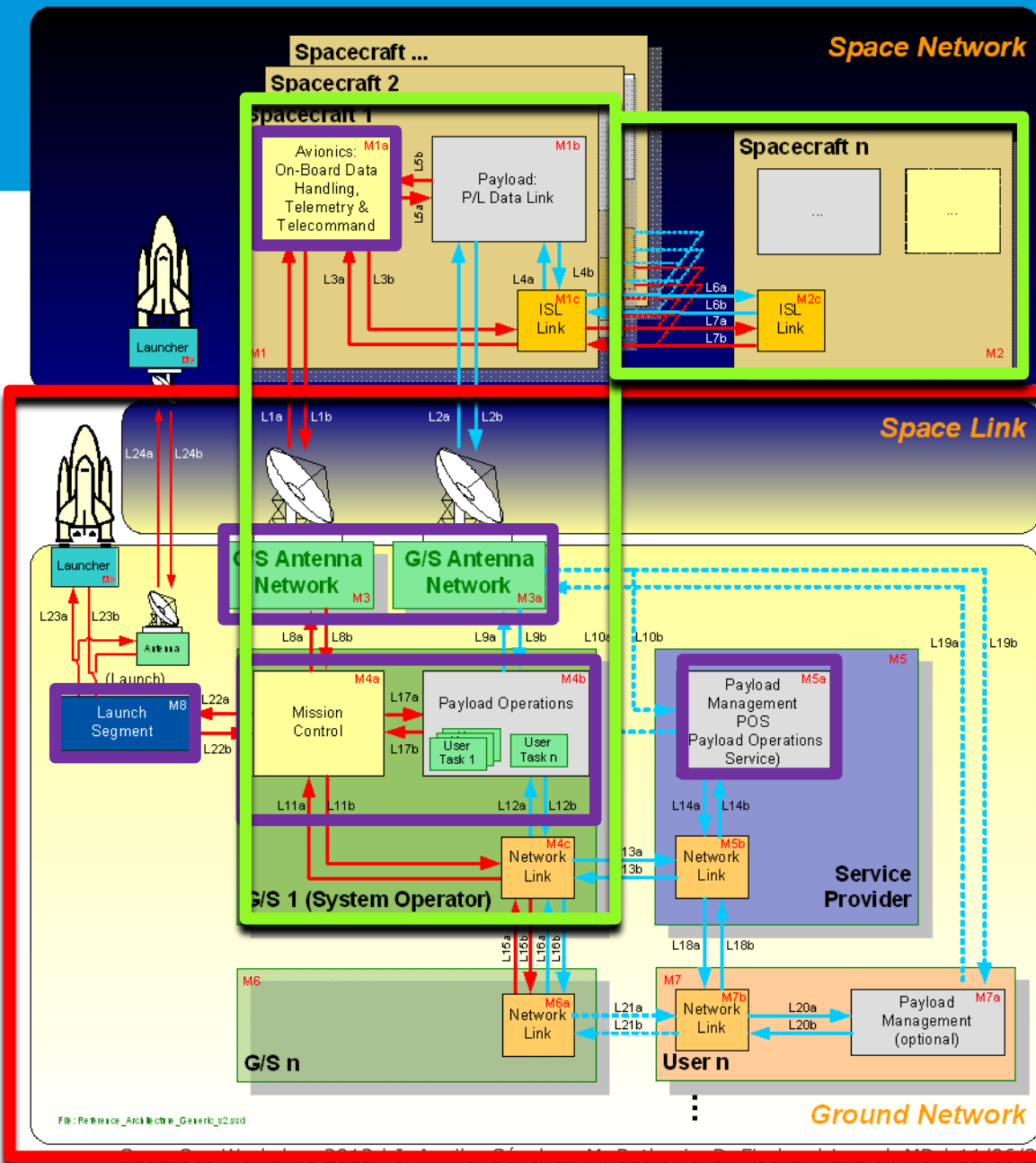
Information Security – A critical element in all ESA activities

I. Aguilar Sánchez, Marko Butkovic, Daniel Fischer
Laurel, MD
11/06/2013

- Security has emerged as a **Strategic Objective** for the Agency, since
 - ESA is responsible for assets of very high tangible and intangible value
 - Multiple ESA/EU Programmes have stringent security requirements

- Thus, ESA needs to address security to
 - Protect its assets
 - Meet the general security requirements of new programmes
 - Stay competitive and acquire new business
 - Meet the specific needs of programs and missions





- Many activities are on-going within ESA to complete an overall security architecture
- Missions and programmes may have additional security needs

Information Security Management System

Software Application Security

Space-Link Security